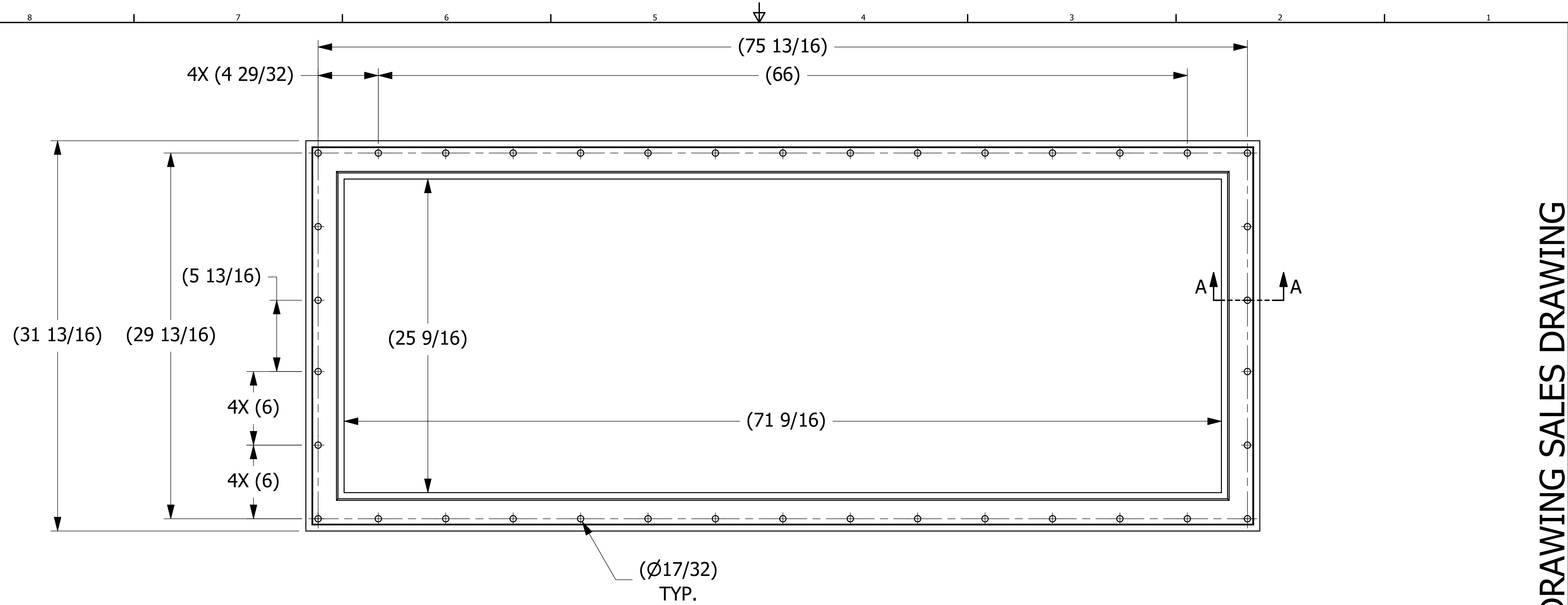
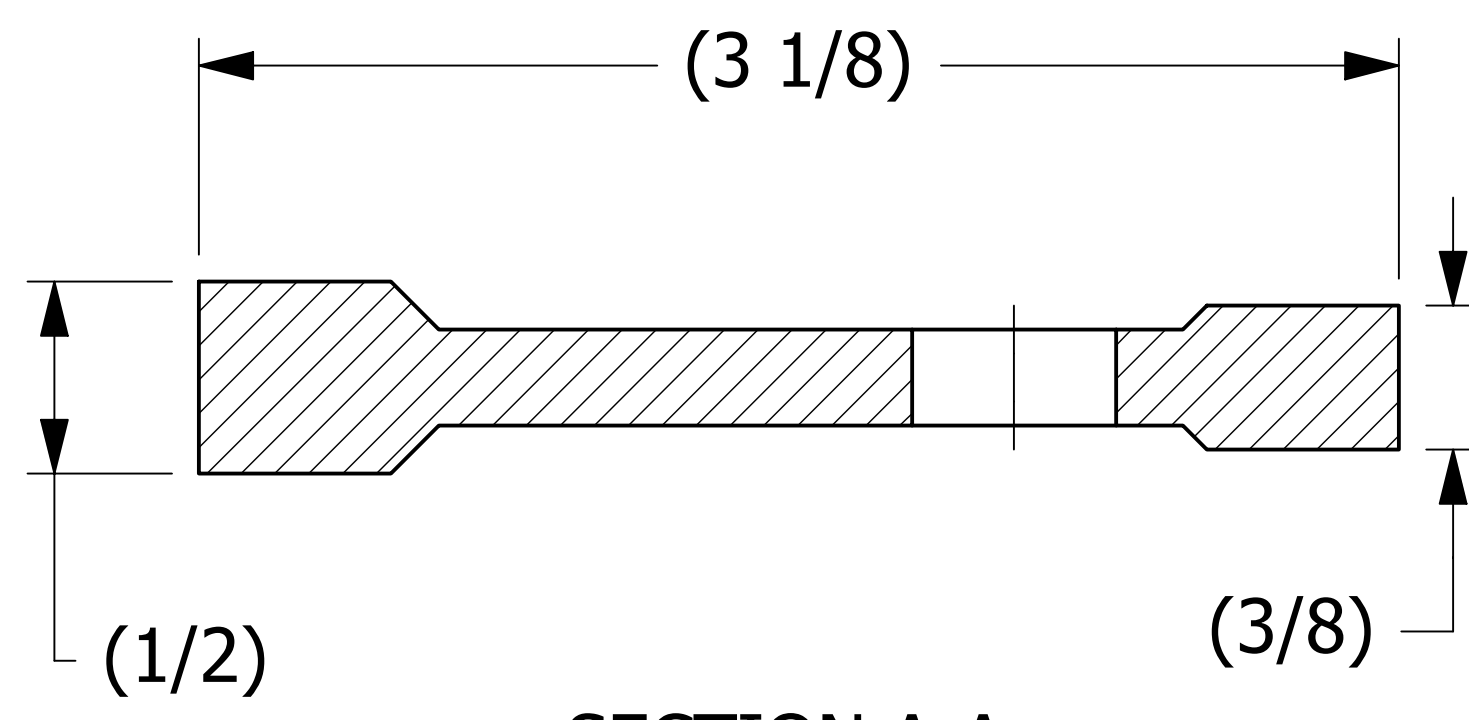
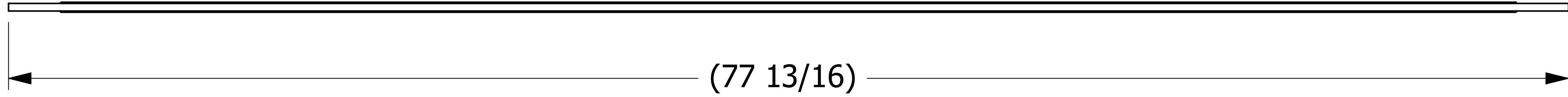


SALES DRAWING SALES DRAWING

SALES DRAWING SALES DRAWING



(\varnothing 17/32)
TYP.



SECTION A-A
SCALE 2 : 1

- NOTES:
- GASKET MATERIAL IS FDA WHITE VINYL, DURO 65-70 SHORE A.
 - SAME HOLE PATTERN AS SALCO P/N GGMM6.

REV	BY	DATE	DESCRIPTION
D	WEB	2-8-17	UPDATED TOLERANCES ON DIMS 71.56 +.25/-0.00 & 25.56+.1875/-0.0000 TO 71.56 +.1875/-0.0000 & 25.56 +.125/-0.000
C	RJP	1-24-17	ADDED 75.81 +.1875/-0.0000, ADDED 29.81 +.125/-0.000 (66) WAS 66.00, REMOVED 2.12
B	RJP	1-20-17	UPDATED TO CURRENT DRAFTING STANDARDS
A	JDA	11-27-89	17/32" WAS 1/2" (HOLE DIAMETER)

<small>UNLESS OTHERWISE SPECIFIED DIMENSIONAL TOLERANCES</small> FRACTIONAL: $\pm 1/16$ X.XX: $\pm .03$ X.XXX: $\pm .015$ ANGULAR: $\pm 1^\circ$ <small>DEBURR ALL SHARP EDGES. ALL MACHINED SURFACES TO HAVE A 125 RMS FINISH UNLESS NOTED OTHERWISE.</small> <small>THIRD ANGLE PROJECTION</small>	DRAWN BY:	JDA
	CHECKED BY:	SAB
	PROTOTYPE BY:	JDA
	PROTOTYPE DATE:	9/25/2014
	APPROVED FOR PRODUCTION BY:	SAB
PRODUCTION DATE:	3/5/1998	



GATE GASKET FOR TRINITY INDUSTRIES

MATERIAL: SEE NOTE

PROJECT #: SHEET #: 1 OF 1 SCALE: 1:4

DRAWING #: PART #: **D101389GGTR3125**

THIS PRINT, PROPERTY OF SALCO PRODUCTS INC. CONTAINS PROPRIETARY INFORMATION AND MUST NOT BE COPIED, REPRODUCED, OR USED DETRIMENTALLY TO OUR INTEREST.